

Hello All!

We are doing Winter Field Day for the first time this year! We also will be using a Special Event callsign for the first time, **W8W**!

I have put together an informational packet on it. This packet is presented using FEMA's ICS forms. These are standardize forms for "Incident Command". Myself, along with others, recently completed a 20 hours course on the use of the forms, and how they can be implemented when needed. The emphasis of the forms is that, while standardized, they can be modified to suit the needs of the situation at hand. I have only chosen to utilize a few of the forms, but the scope of ICS can cover much larger, complex events. My goal with this is to introduce others to the format used with ICS, in the hopes that when you are part of a volunteer response, and are exposed to the ICS system of command, you will have some history with it. Ottawa County EOC, Kent County EOC, and Muskegon County EOC all use ICS for AUXCOMM, so you may already have exposure if you've helped with Tulip Time, the GR River Run, or the Sgt. Preston Yukon King Memorial Run.

The Winter Field Day packet is attached, but if you are curious about the forms and other forms in the ICS system, blank forms can be viewed and downloaded here:

<https://training.fema.gov/icsresource/icsforms.aspx>

Winter Field Day is scheduled for from 11am on the 25th of January to 5pm on the 26th. It will be held at Ferrysburg City Hall on Ridge Ave., in Ferrysburg. We will be operating HF, VHF, and UHF 100W stations to make phone, CW, and digital contacts. You are welcome to bring a radio station and participate, or run a radio station already present. You are also welcome to come in a social capacity at any time during the event. This event is open to all, from any club, and individuals from outside a club.

We will be running radios on emergency power for the event. The batteries being provided by Greg W8GP and Jay NT0Y should have enough power for us to run approximately six to seven 100w stations at once during the entire event, but will also be utilizing generators if needed. We will be shooting for 2-3 phone stations, at least two digital stations, a winlink station, and as many CW stations as CW operators want to bring. If you want to bring/run a station, you are welcome to, even if it is not for the entire event. We should have room and be able to accommodate all.

We plan to deploy an 80m doublet at the site, along with other antennas. If you want to deploy an antenna during the event please let me know. Experimental antennas are welcome. We would love for people to try new things out in a real world setting, in the field. I can test your antenna with WSPR if wanted, to see propagation in real time.

We also are going to experiment with tuning the baseball field chain-link backstop, and/or the frame of the playground swings, as an antenna, and attempt to make a contact with them. We may also try to tune other things on the site, just for fun.

You can operate from the warm conference room in the building or from your car/camper in the parking lot. Stations can be spread out in a 1000ft radius. This gives us the large open spaces outside as potential areas for stations.

There will be Wi-Fi for sync'd logging, and will be using N1MM+ as we did for last Field Day.

Some stations that will be at WFD, that I want to note specifically, are a JS8Call station, a RTTY & PSK station, and a Winlink station. Anyone wishing to learn how to operate these modes is welcome to come and gets hands-on experience with them. Or bring your own if you want to try things out on your own equipment!

We also have the opportunity to make satellite contacts, and if you wish to come and make satellite contacts with your station, you are more than welcome to, and it would be appreciated.

The building has ample space and seating, as well as restroom facilities. It is located just off US-31 on the north side of the drawbridge and hopefully will be a simple commute for all during the cold winter we have at the end of January.

In the case of a real emergency where field stations need to be deployed, the City Hall could be an excellent option, so being able to do Winter Field Day on-site will allow us to not only test our equipment and operating skills, but also trial the location as a potential future location during a real emergency.

I hope to see you all there!

Any questions or comments are welcome, either here or by emailing me directly at my email address.

Levi  
N8GMZ

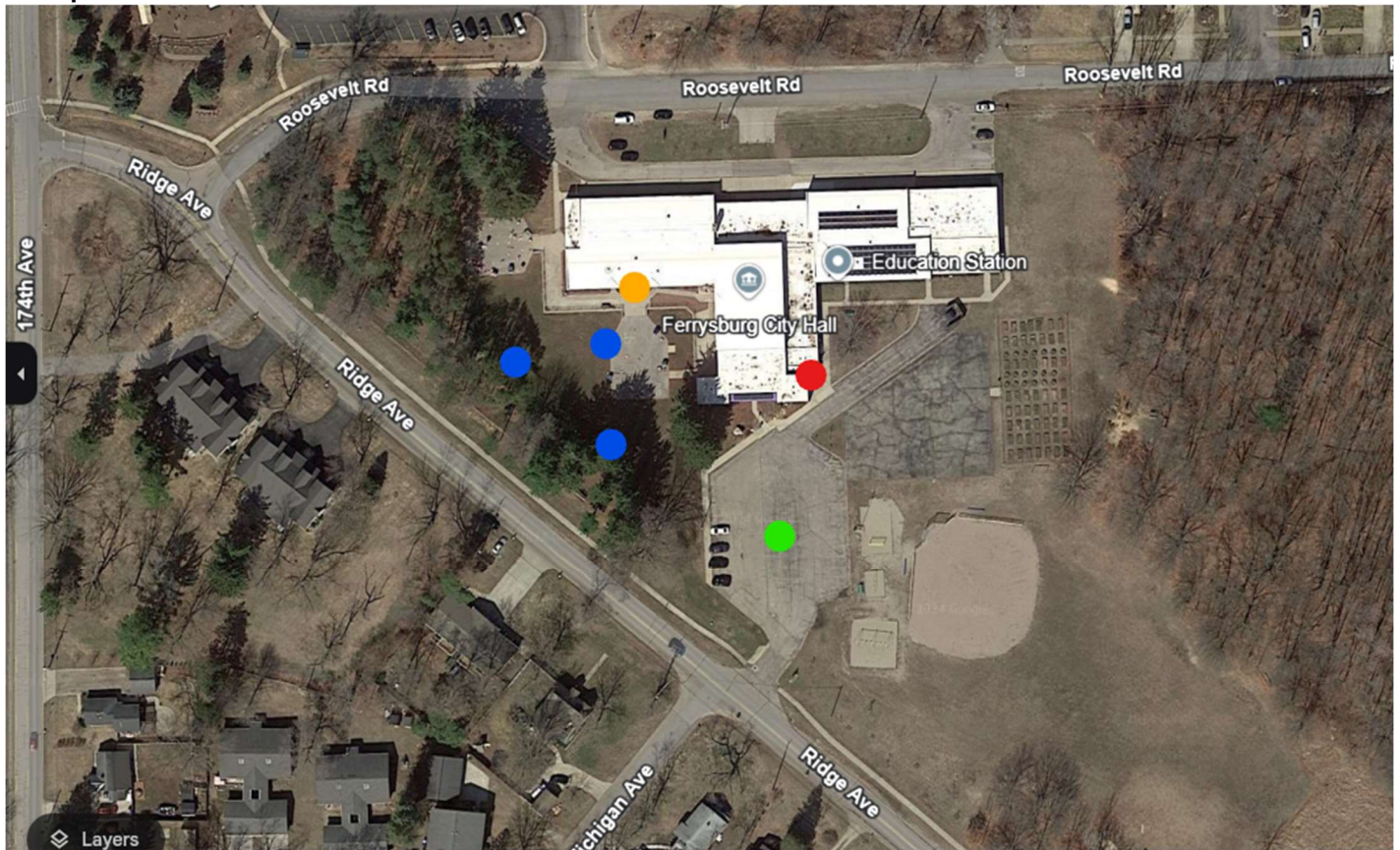
# INCIDENT BRIEFING (ICS 201)

1. Incident Name:  
Winter Field Day

2. Incident Number:  
WFD001

3. Date/Time Initiated:  
Date: 12/12/2025 Time: 1100HRS

## 4. Map:



## 5. Situation Summary:

Winter Field Day – Field Operation Exercise – Multiple stations, 100W, SSB, CW, Digital, All bands except WARC

MIRATS/NOARC operating together under Special Event callsign: W8W

MIRATS – Michigan Radio Amateur Technological Society - [www.WE8CHZ.org](http://www.WE8CHZ.org)

NOARC – North Ottawa Amateur Radio Club – [www.W8CSO.org](http://www.W8CSO.org)

Ferrysburg City Hall  
17520 Ridge Ave, Spring Lake, MI. 49456

01/25/2025 1100HRS – 01/26/20025 1659HRS (30 hours in total)

Parking: Ridge Ave parking lot, green dot  
(Notify Command if you plan to operate from your car or camper so vehicle accomidations can be made)

Entrance: Righthand side of building off parking lot, red dot  
Main Operations: City Hall Conference Room, orange dot

6. Prepared by: Name: Levi Gates, N8GMZ Position/Title: WFD Chairperson

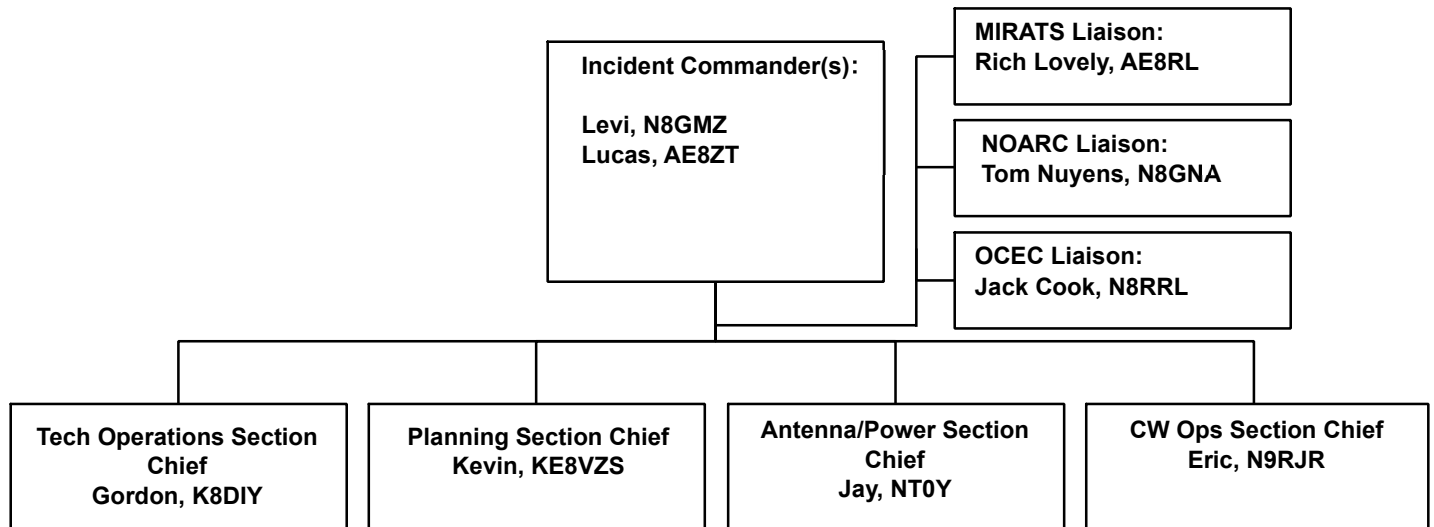
# INCIDENT BRIEFING (ICS 201)

<b>1. Incident Name:</b> Winter Field Day	<b>2. Incident Number:</b> WFD001	<b>3. Date/Time Initiated:</b> Date: 01/25/2025 Time: 1100HRS
<b>7. Objectives:</b>		
<p>The goal of the Winter Field Day Association is to help amateur radio operators improve their preparedness for disasters and enhance their operational abilities. The winter months present unique challenges for operating, including shorter days, the potential for freezing temperatures, snow, ice, and other hazards.</p> <p>The annual Winter Field Day Exercise is <u>not a contest</u>, but a practical field exercise designed to push your emergency preparedness skills to the limit and test your capabilities in diverse and demanding conditions.</p> <p>All licensed radio amateurs are welcome to attend and participate, from any club or from outside a club. Unlicensed people wishing to participate are welcome as well and can assist with operations alongside others. Social attendees are encouraged as well. There is ample seating and a social area for all.</p> <p>Anyone is welcome to bring their radio station(s). There will be stations that can be shared. Stations can be manned by two people, a logger and a radio operator, or solo, if desired. Field operations are fluid, and we should plan to adapt as needed to stay on the air.</p> <p>*NOARC is offering free first year membership to new members. You can sign up at the event.</p> <p>** We have requested involvement from OCEC (Ottawa County Emergency Communications). At this time, it is unknown if OCEC will be involved with our operations. In a real emergency or disaster working with OCEC will likely be part of operations. The opportunity to practice in the field alongside OCEC is welcomed, but understandably, may not happen due to logistics and other commitments.</p>		
<b>8. Current and Planned Actions, Strategies, and Tactics:</b>		
Time:	Actions:	
01/25/25 0800HRS	Begin setting up antennas in areas marked on map above with BLUE dots. Antenna coaxes to be fed into building using temporary means. Bandpass filters to be installed on feedlines at radios.	
0900HRS	Tech Operations Section to install a temporary Wi-Fi network to support logging operations. We will be using N1MM+ logging software. Install N1MM+ prior to operations.	
1000HRS	Setup radio stations and emergency power in conference room located at the ORANGE dot on map. Battery power for all radios. Logging PCs can be plugged in. Digital mode PCs on battery power only.	
1100HRS	Radio operations begin at all stations. Rotate operators as desired. Band changes only when approved. If OCEM MCU is present, a 10m station and/or Winlink station may operate from it, TBD.	
1300HRS	Lunch to be served – Kevin KE8VZS to organize. 1 hour break for socializing.	
	Copy Special Bulletin from K6KPH for Multiplier – Unknown if via SSB or CW. Details will be released closer to event.	
	Make a FM and/or SSB/CW Satellite Contact – Need Sat Operator(s) for this objective	
	Send and Receive at least one Winlink Email – Tom K8TB/Jay NT0Y to coordinate	
	Operate on at least six different bands and use multiple modes - ALL digital modes are allowed EXCEPT FT8/FT4. You can use RTTY, JS8Call, JT65, etc. Operators needed. Digital/CW count as double points	
	Utilize spotting clusters in N1MM+ - A dedicated spotter to monitor clusters is an option	
1700HRS	Dinner to be served – Kevin KE8VZS to organize – 1 hour break for socializing.	
01/26/25	Radio operations continue. Breakfast and Lunch TBD based on current operational requirements. **MIRATS plans to tune the baseball field backstop with a Xeigu G90 and attempt to make a contact**	
1659HRS	Winter Field Day ends - Being demobilization of WFD stations	

# INCIDENT BRIEFING (ICS 201)

<b>1. Incident Name:</b> Winter Field Day	<b>2. Incident Number:</b> WFD001	<b>3. Date/Time Initiated:</b> Date: 01/25/2025 Time: 1100HRS
--	--------------------------------------	--

**9. Current Organization** (fill in additional organization as appropriate):



**6. Prepared by:** Name: Levi Gates Position/Title: WFD Chairperson

ICS 201, Page 3 Date/Time: 12/12/24 1100HRS

## INCIDENT BRIEFING (ICS 201)

<b>1. Incident Name:</b> Winter Field Day	<b>2. Incident Number:</b> WFD001	<b>3. Date/Time Initiated:</b> Date: 01/25/2025 Time: 1100HRS
--	--------------------------------------	--

<b>10. Resource Summary:</b>					
Resource	Resource Identifier	Date/Time Ordered	ETA	Arrived	Notes (location/assignment/status)
10M Antenna				<input type="checkbox"/>	Medium Priority
15M Antenna				<input type="checkbox"/>	Medium Priority
20M Antenna				<input type="checkbox"/>	High Priority
30M Antenna				<input type="checkbox"/>	Medium Priority. CW/Digital.
40M Antenna				<input type="checkbox"/>	High Priority
60M Antenna				<input type="checkbox"/>	Medium priority. Digital mode only.
75/80M Antenna				<input type="checkbox"/>	Low priority
160M Antenna				<input type="checkbox"/>	Low Priority. May not be feasible
2M Antenna				<input type="checkbox"/>	Preferably a Yagi with a pole
70CM Antenna				<input type="checkbox"/>	Preferably a Yagi with a pole
RG-8X/LMR-400 Coax, 100', 5 runs min.				<input type="checkbox"/>	Shorter lengths also, jumpers as well.
LiFePo4 or LiPo batteries, 2 per station				<input type="checkbox"/>	Chargers for batteries needed
Generator(s), gas cans				<input type="checkbox"/>	Two is one, and one is none. We will want two on-site to charge batteries.
120V power cords, 120V surge strips, etc.				<input type="checkbox"/>	If you bring a radio station, bring a power strip and cord for logging software laptop.
Bandpass filters, 10M, 15M, 20M, 40M				<input type="checkbox"/>	Will be issued to stations as required
Multi-band antennas				<input type="checkbox"/>	As needed to supplement operations
Antenna Analyzer				<input type="checkbox"/>	

<b>6. Prepared by: Name:</b> Levi Gates	<b>Position/Title:</b> WFD Chairperson
<b>ICS 201, Page 4</b>	<b>Date/Time:</b> 12/12/2024

## INCIDENT OBJECTIVES (ICS 202)

<b>1. Incident Name:</b> Winter Field Day	<b>2. Operational Period:</b> Date From: 01/25/25 To: 01/26/25 Time From: 1100HRS To:1459HRS
<b>3. Objective &amp; Multipliers (From the WFD website):</b>  <p>More than points, achieving objectives should be your primary goal during WFD, these objectives, combined with your own, should be your main focus during the exercise. As an incentive to focus on objectives, an Objective Multiplier (OM) has been assigned to each objective. To calculate an overall score, we will take your QSO Points and times them by your total OM. We will also record and track the percentage of objectives completed. A great way to see overall how you did from year to year.</p> <p><b>Operate 100% on alternative power:</b> Operate exclusively on alternative power, defined as any power source not connected to the commercial power grid. You may use generators, batteries, solar power, wind power, or anything else. All batteries, whether in use or charging, should only be recharged using alternative power. WFD stations should run all station equipment, accessories, or heaters from an alternate power source. Logging-only computers or lights are the exception, and they may be connected to the power grid or any power source available. If you use a laptop for digital modes, it should not be connected to the power grid but also be plugged into an alternative power source. OM x1</p> <p><b>Operate away from home:</b> Operating away from one is one of the main reasons of “Field Day”. Do you have the ability to walk into any shelter, parking garage, hospital, or community center and set up a portable Amateur radio station? Now is the time to start planning what you will do if your home location is destroyed during an emergency. For this objective, set up your field station more than a ½ mile from your home. OM x3</p> <p><b>Deploy multiple antennas:</b> Deploy two or more antennas that have not been previously installed. Pre-installed antennas are defined as any antenna attached to anything that could be used day to day or was set up before the WFD set-up time. This includes home antennas, antennas installed on vehicles, cargo trailers, and RVs, or any other antenna that would be considered permanently installed. Pre-installed antennas do not count. You must deploy field antennas. This could be a dipole and a hex beam or an EFHW and a 2-meter J-pole. Any combination of antennas works. Multi-band antennas do not count as separate antennas. OM x1</p> <p><b>Make an FM satellite contact:</b> Make at least 1 FM satellite contact during the operating period. Dedicated satellite transmitters do not count toward your Category number. Satellite contacts do not count towards your total QSO points. Only the multiplier applies. See the appendix below for more information on satellite contacts. OM x2</p> <p><b>Make a SSB or CW Satellite Contact:</b> Make at least one contact through a satellite using SSB or CW. OM x3</p> <p><b>Send and receive at least one Winlink email:</b> Winlink has proven useful during emergencies and is considered a digital mode. Because time stamps may be hours apart on emails, Winlink contacts do not count for total QSO points. Only the Multiplier applies. Successfully send and receive at least one Winlink email to achieve this objective. ON x1</p> <p><b>Copy the Winter Field Day Special Bulletin:</b> This year, in association with K6KPH, the WFDA board will broadcast a short bulletin during the WFD event. Accurately copy the message and submit your copy with your log submission to achieve this objective. The frequencies and times will be published on our website prior to the event. OM x1</p>	

**Operate on at least six different bands: Conditions may change throughout an event. Operate at least six different bands during the operating period. You should be able to accomplish this objective by utilizing HF, VHF, and UHF frequencies. Don't forget about 1.25 meters (220)? It's an excellent band for local emergencies. OM x6**

**Use multiple modes: Increase your versatility by using multiple modes during the event, such as phone and CW, CW and digital, or Phone and digital. OM x2**

**Operate six continuous hours during the event: Emergencies may last days or even weeks. If you are operating alone or in shifts, you may be expected to man a radio station between 4-12 hours. Are you able to sit and operate for extended periods of time with enough backup power? This does not necessarily mean you are making contacts the whole time, but you are in front of the radio, monitoring and ready to pick up a microphone if you are called. OM x2**

**4. Operational Period Command Emphasis:**

We want everyone to have fun. While this is a field exercise, it is also a very social event. Do not feel like there is pressure to complete every objective.

A learning experience is just that; you take away from it what you want to. There is no grade, and the score does not matter. Experiment with things, with new antennas, or different radio setups. We aim to keep things stress-free and enjoyable. The facility is very accommodating in many ways, and we hope you enjoy the event regardless of success in smaller areas or objectives. The main objective is to have a good time.

Be open to new ideas. Work as a team even if it means doing things a different way. This is the first time we are doing WFD. Let's build a solid foundation and grow from it.

If you are unsure about something, ask. If you have an idea, bring it up.

**General Situational Awareness:**

The City of Ferrysburg is graciously allowing us the use of their government facility. There may be other people in the facility not associated with the event at times, including small children. Representing the amateur radio hobby in a positive way is the best thing you can do to keep the hobby alive.

**5. Site Safety Plan Required?** Yes  No

**Approved Site Safety Plan(s) Located at:**

**6. Incident Action Plan** (the items checked below are included in this Incident Action Plan):

- |   |  |                                |
|---|--|--------------------------------|
| <input type="checkbox"/> ICS 203            | <input type="checkbox"/> ICS 207                         | <u>Other Attachments:</u>      |
| <input type="checkbox"/> ICS 204            | <input type="checkbox"/> ICS 208                         | <input type="checkbox"/> _____ |
| <input checked="" type="checkbox"/> ICS 205 | <input type="checkbox"/> Map/Chart                       | <input type="checkbox"/> _____ |
| <input type="checkbox"/> ICS 205A           | <input type="checkbox"/> Weather Forecast/Tides/Currents | <input type="checkbox"/> _____ |
| <input type="checkbox"/> ICS 206            |  | <input type="checkbox"/> _____ |

**7. Prepared by:** Name: Levi Gates Position/Title: WFD Chairperson

**8. Approved by Incident Commander:** Name: \_\_\_\_\_ Signature: \_\_\_\_\_

ICS 202

IAP Page 6

Date/Time: \_\_\_\_\_



## INCIDENT RADIO COMMUNICATIONS PLAN (ICS 205)

<b>1. Incident Name:</b> Winter Field Day	<b>2. Date/Time Prepared:</b> Date: 12/12/2024 Time: 1300HRS	<b>3. Operational Period:</b> Date From: 01/25/25    Date To: 01/26/26 Time From: 1100HRS Time To: 1659HRS
--	--	---

**4. Basic Radio Channel Use:**

Zone Grp.	Ch #	Function	Channel Name/Trunked Radio System Talkgroup	RX Freq N or W	RX Tone/NAC	TX Freq N or W	TX Tone/NAC	Mode (A, D, or M)	Remarks
A	1	Primary	W8CSO	145.490 W	94.8	144.890 W	94.8	A	Echolink: KB8ODB
A	2	Secondary	W8CMN MI Statewide 1 TS1	443.600 W	CC1	448.600 W	CC1	DMR	
A	3	Secondary	W8CSO	443.775 W	94.8	448.775 W	94.8	YSF	Linked to West Michigan Connect Wires-X room
A	4	Talkaround	2M Simplex	146.520 W	N/A	146.520 W	N/A	A	For on-site comms

**5. Special Instructions:**

**6. Prepared by Name:** Levi Gates

ICS 205	IAP Page <u>  7  </u>	Date/Time: <u>01/25/25</u> <u>1100HRS</u> <u>01/26/25</u> <u>1659HRS</u>
---------	-----------------------	--